



New-Style Display
Sportive Display
Original user manual



1 Your e-bike display

1.1 Variants

Sportive display

The compact sportive display can be installed close to the handle discreetly. In case of a fall, it is less susceptible to damage.

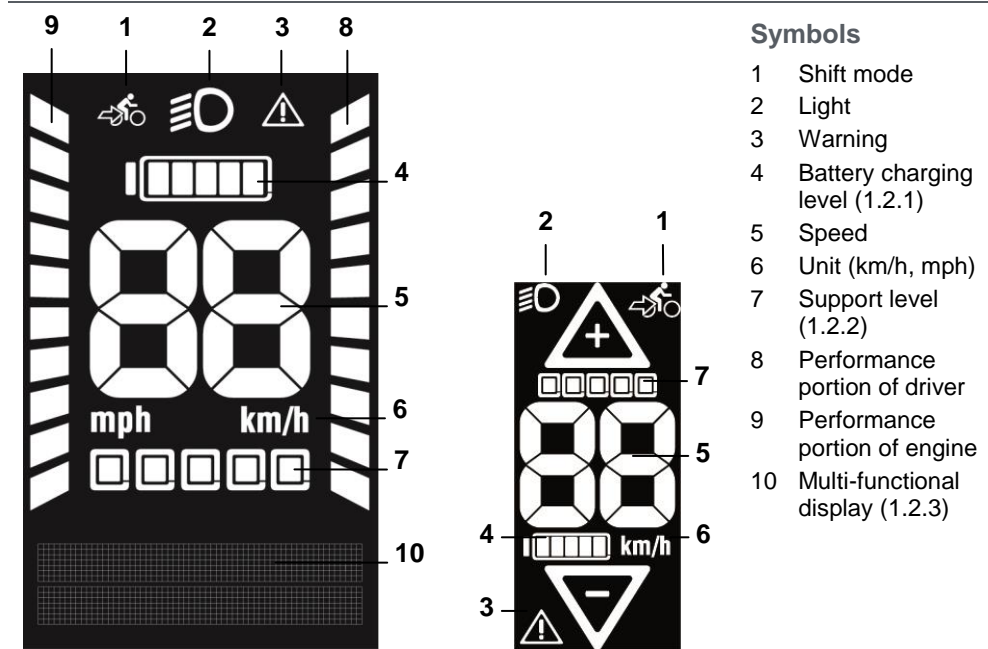
New-style display

The big new-style display is easy to read and comes with additional functions. The system is easy-to-operate with its new-style remote.

1.2 Explanation of symbols

The various displays have a similar structure. The new-style display is also equipped with a multi-functional display and a display, which shows the current overall performance proportionately for driver and engine.

Figure 1
Display symbols
Left : New-style display
Right: Sportive display



1.2.1 Filling level indication

Table1
Filling level indication
* → blinking

when charging	when driving
0-19 %	100-80 %
20-39 %	79-60 %
40-59 %	59-40 %
60-79 %	39-20 %
80-99 %	19-10 %
100 %	9-0 %

1.2.2 Support levels

Table 2
Display of the support level

Display	Support level
	off
	1 (minimum)

	2
	3 (maximum)

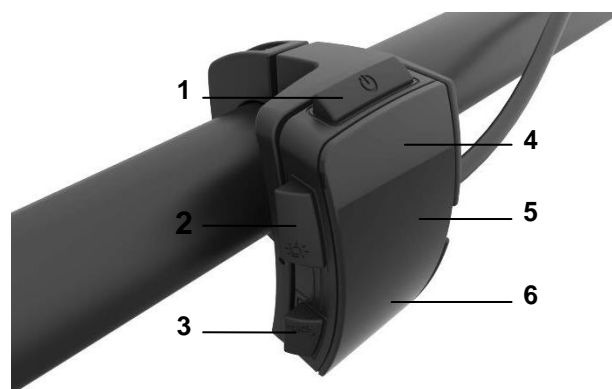
1.2.3 Multi-functional display

Table 3
Multi-functional display

Function	Unit
Time of Day	hh:mm (24 hrs or 12 h am/pm)
Tour dist. (Trip Distance)	km mi
Tour kcal (Trip Calories)	kcal
Tour Time (Trip Time)	hh:mm
Ø Speed (Avg. speed)	km mi
Max-Speed	km/h mi/h
Total Distance	km mi
Total Time	hh:mm

1.3 Operating elements

Figure 2
Control buttons



Operating elements

- 1 On/Off (push-button)
- 2 Light (push-button)
- 3 Pushing help (push-button)
- 4 Up (rocker switch)
- 5 Menu (touch field)
- 6 Down (rocker switch)

1.4 USB port

The display has a micro-USB-port on the rear side. With a right USB cable, you can charge other devices with it, e.g. your cell phone.

ATTENTION

The charge current is 0.5 ampere. Consider the permissible charge current of your devices.

2 Assembly

2.1 Installing the new-style display

Prerequisites

- ✓ Engine and batteries are installed.

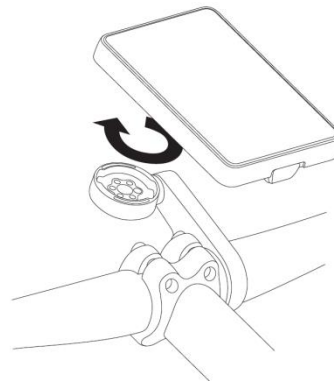
Tools

- Allen key AF 2.5
- Allen key AF 3
- Intermediate cable

Instructions

1. Install the new-style remote close to the handle on the handle bar. (AF 2.5)
2. Install display bracket at the centre of the handle bar (AF 3).

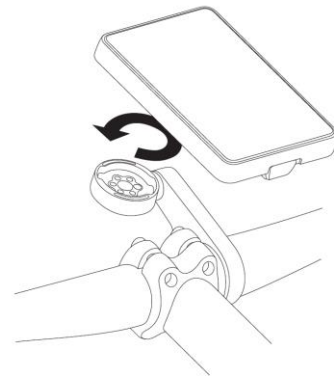
3. Set the new-style display tilted to 45° to the left on the bracket and turn straight.



4. Connect the display to the engine by the intermediate cable.

2.2 Taking off the new-style display

1. Separate the display from the intermediate cable.
2. Turn the new-style display to 45° left and take it off from the top.



- 3.

2.3 Installing sportive display

- ✓ Engine and batteries are installed.
 - Allen key AF 2.5
1. Install the sportive display close to the left handle. (AF 2.5)
 2. Connect the plug connection to the engine.

Prerequisites

Tools

Instructions

3 Operation

3.1 Switching on and off the system

Prerequisites

- ✓ The system is installed according to the specifications.
- ✓ The battery is inserted and charged.

Instructions

- ▶ Activate the e-bike/pedelec battery
- ▶ Press the **On/Off** button for 2 seconds.

3.2 Changing the stand-by mode and the operating mode

Instructions

- ▶ Press the **On/Off** button briefly.

3.3 Changing the support level

Instructions

- ▶ Press the rocker switch **Up** to increase the support level.
- ▶ Press the rocker switch **Down** to lower the support level.

3.4 Enabling the pushing help

Instructions

For Pedelec user

- ▶ Press the button **pushing help** for three seconds.
- ▶ Release the button to exit

Instructions

For S-pedelec user

- ▶ Press the button **pushing help** briefly.
- ▶ Release the button **pushing help** for maximum 5 seconds
- ▶ Press the button **pushing help** for minimum 3 seconds again.
- ▶ Release the button to exit

3.5 Switching on and off the light

Instructions

For pedelec user

- ▶ Press the button **Light** briefly.

Note

For s-pedelec users, the lighting is constantly on.

3.6 Switching over to multi-functional display

Instructions

- ▶ Tap on the touch field **Menu**.

3.7 Change the settings

3.7.1 New-style display

Overview

Following settings can be made:

Table 4
Settings

Field	Value
Reset trip	Set the run time, calories burned, distance, average speed to 0
Reset all	Set all values including the total run time to 0
Date	DD/MM/YY
Time format	24/12
Time	hh/mm
Language	German/English
Metric/Anglo-American	km/mi

Instructions

1. Press the button **light** for three seconds.
2. Press the touch field **Menu** till the desired menu point is reached.
3. Set the value with the rocker switch **Up** and **Down**.
4. Tap on the touch field **Menu** to confirm.

Note

You can exist the setting menu after the last field by pressing the touch field **Menu**. You can exit from the setting menu by briefly pressing the button **Light**.

3.7.2 Sportive display

Overview

The sportive display can show miles or kilometre.

Instructions

1. Press the button **light** for three seconds.
2. Set the unit with the rocker switch **Up** and **Down**.
3. Press the button **light** for three seconds to confirm.



Batterien-Montage-Zentrum GmbH
Am Sportplatz 30
63791 Karlstein

Phone no.: 06188 9956-0
Fax: 06188 9956-900
Email: kontakt@bmz-gmbh.de

© 2015 BMZ GmbH. Subject to modifications. BMZ assumes no liability for technical or editorial errors.

**Product
identification**

Item No. New-style display 27937
Item No. Sportive display: 27938
Country of origin: Germany
Symbol: [CE, TÜV, etc.]

After-sales service

Hotline: 06188 9956680
(14 ct/min from German landline| maximum price on mobile number: 42 ct/min)

**Document
identification**

Original user manual for new-style display, sportive display
Version: 0.2